

## **GEMELLI**

550 RECTANGULAR SEMI-INSET  
COUNTER TOP VESSEL BASIN

Nominal size 550 x 410mm



1 TAPHOLE

## 550 RECTANGULAR SEMI-INSET COUNTER TOP VESSEL BASIN



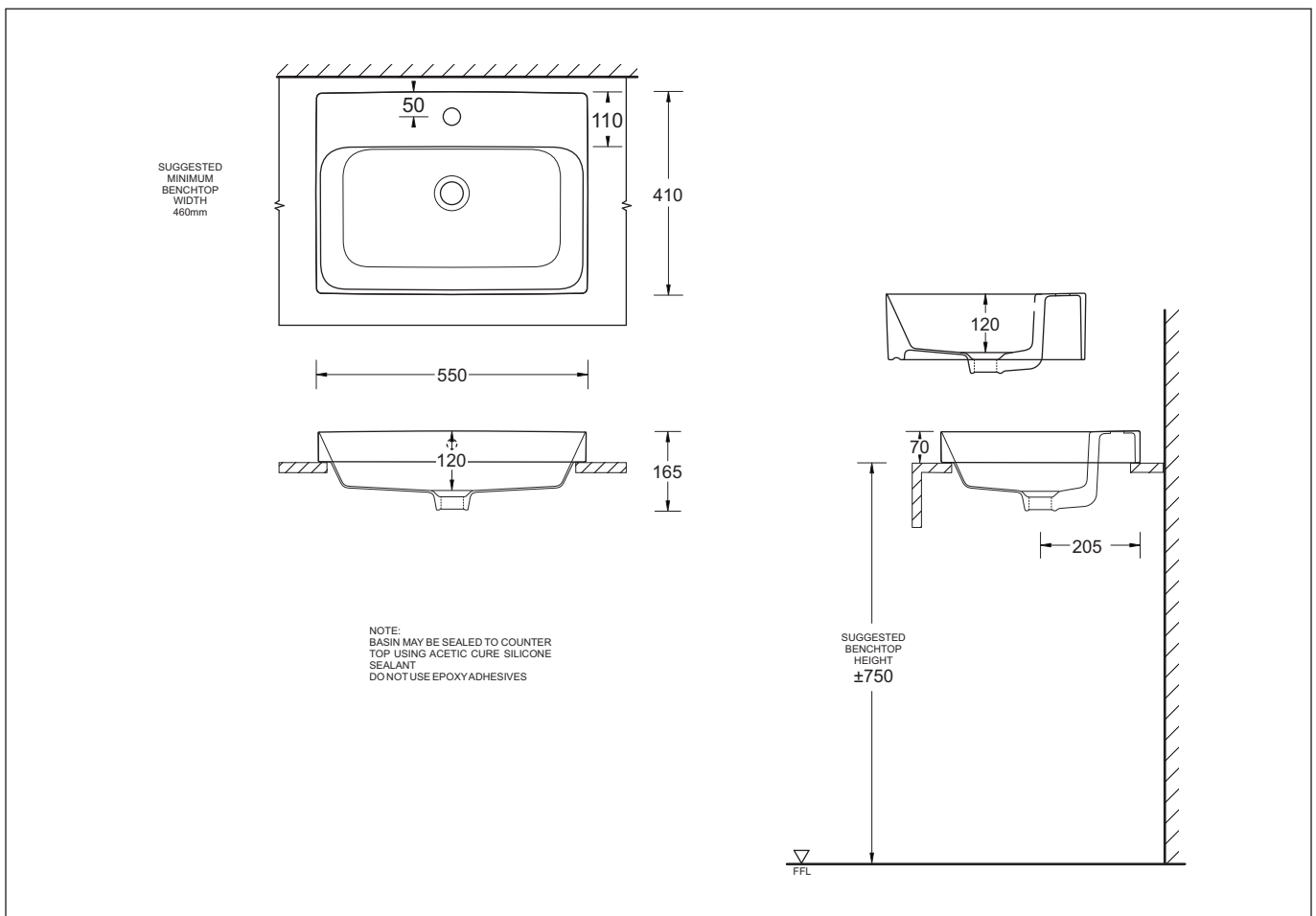
- Attractive rectangular style vitreous china vessel basin
- Vessel designed for inset counter top installation
- Standard overflow
- 1 tap hole
- 32mm waste outlet
- Basin capacity 7.3L
- 550 x 410mm size

### Provided

Item	Description	Code
Basin	Gemelli Rectangular Inset Vessel	J3263.1
Overflow Trim	CP Cap - JS	X065
Installation	Counter Template Kit	✓
Plug & Waste	Pop-up waste-Chrome	PW5

### Optional

Plug & Waste	32/40mm Overflow-Chrome	PW1
--------------	-------------------------	-----



All dimensions are in millimetres and are subject to normal manufacturing variation of +/- 3mm on all surfaces. As product development is ongoing BPA reserves the right to vary specifications without notice