

BASEL

ROUND
SEMI RECESSED BASIN

Nominal diameter 450mm



1 TAPHOLE

BASEL

ROUND SEMI-RECESSED BASIN



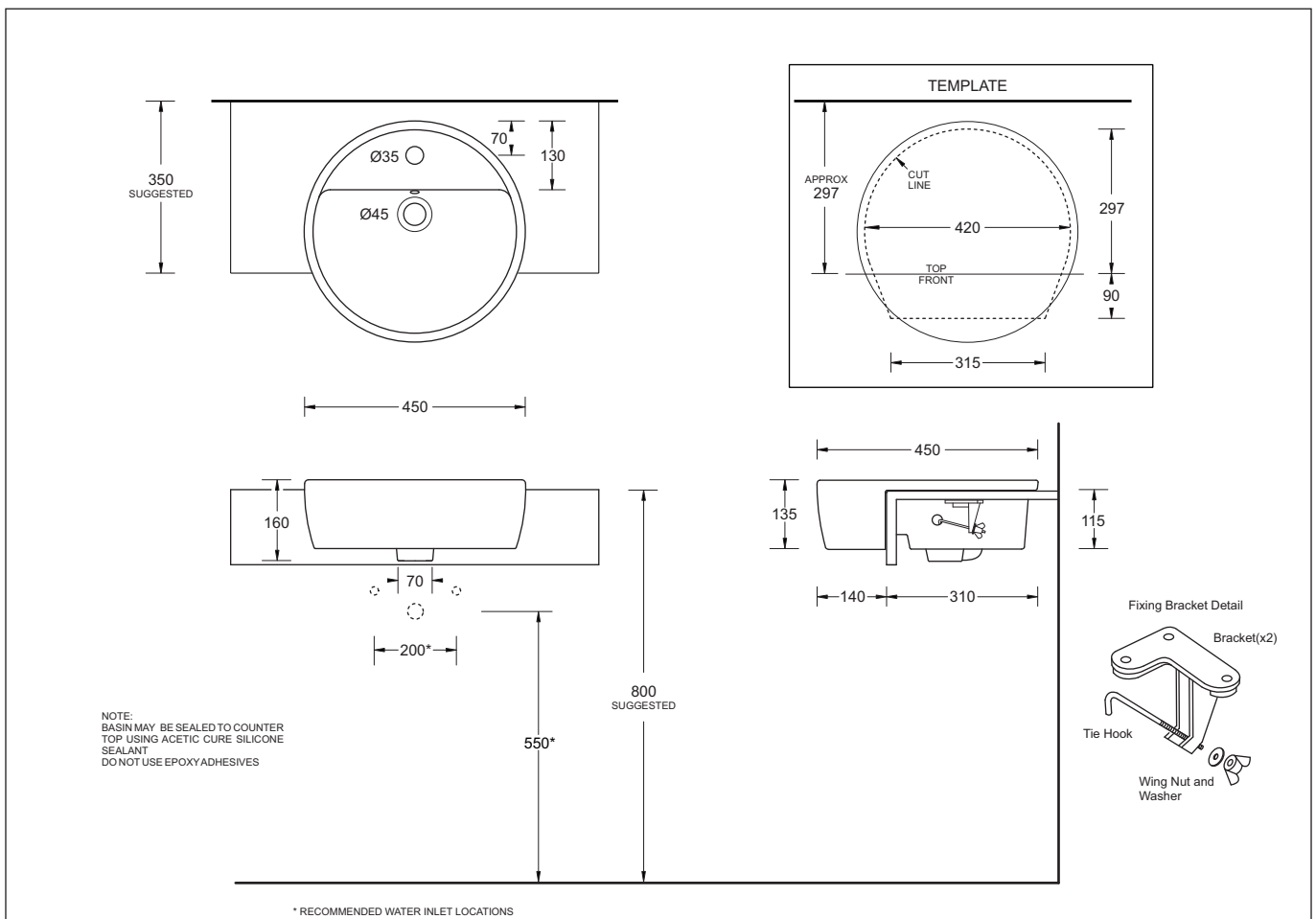
- Contemporary vessel-style semi recessed basin
- Suitable for domestic or commercial applications
- Standard overflow
- Available with single taphole
- 32mm waste outlet
- 450mm nominal diameter
- Bowl capacity 2.7 L

Provided

Item	Description	Code
Basin	Basel Semi Recessed Basin	J3010
Overflow Trim	CP Ring - JS	X065
Installation	Counter Template Kit	✓
Installation	Under-mount Brackets(pr)	
Plug & Waste	32/40mm Overflow-Plastic	PW2

Optional

Plug & Waste	32/40mm Overflow-Chrome	PW1
--------------	-------------------------	-----



All dimensions are in millimetres and are subject to normal manufacturing variation of +/- 3mm on all surfaces. As product development is ongoing BPA reserves the right to vary specifications without notice