

GEMELLI

550 RECTANGULAR
SEMI RECESSED BASIN

Nominal size 550 x 480mm



1 TAPHOLE



- Attractive rectangular style vitreous china basin
- Designed for semi recessed installation
- Standard overflow
- 1 tap hole
- 32mm waste outlet
- Basin capacity 9.8L
- 550 x 480mm size

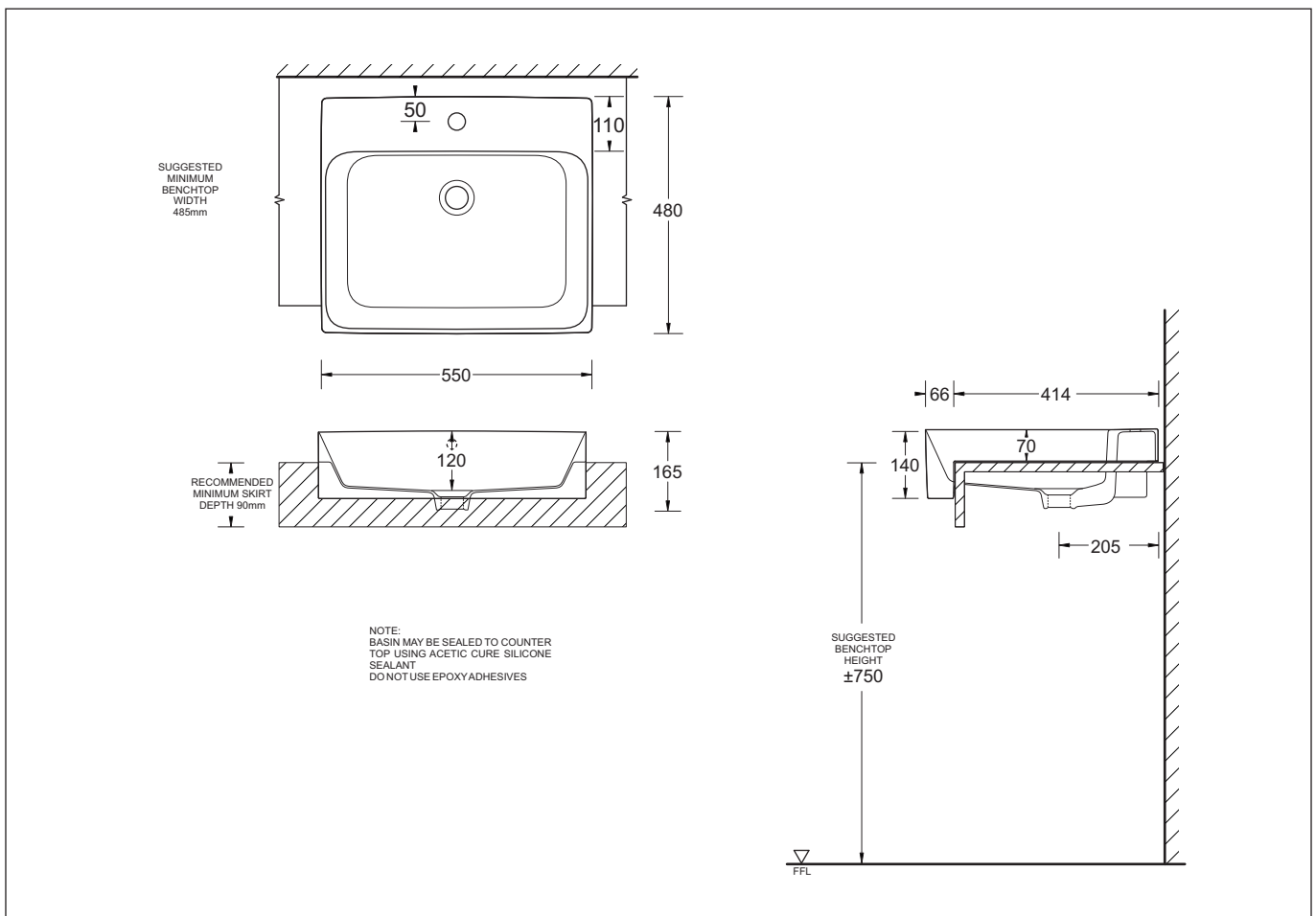
Provided

Item	Description	Code
Basin	Gemelli Rectangular Semi Recessed Basin	J3267.1
Overflow Trim	CP Cap - JS	X065
Installation	Counter Template Kit	✓
Plug & Waste	Pop-up waste-Chrome	PW5

Optional

Plug & Waste	32/40mm Overflow-Chrome	PW1
--------------	-------------------------	-----

JohnsonSuisse



All dimensions are in millimetres and are subject to normal manufacturing variation of +/- 3mm on all surfaces. As product development is ongoing BPA reserves the right to vary specifications without notice