



marbletrend

J3180

November 2016

SUPERSEDES ALL PREVIOUS ISSUES

1.1.22

COMO

WALL/SHROUD BASIN

Nominal Size 520 x 425mm



1/2/3 TAPHOLE

COMO

WALL/SHROUD BASIN



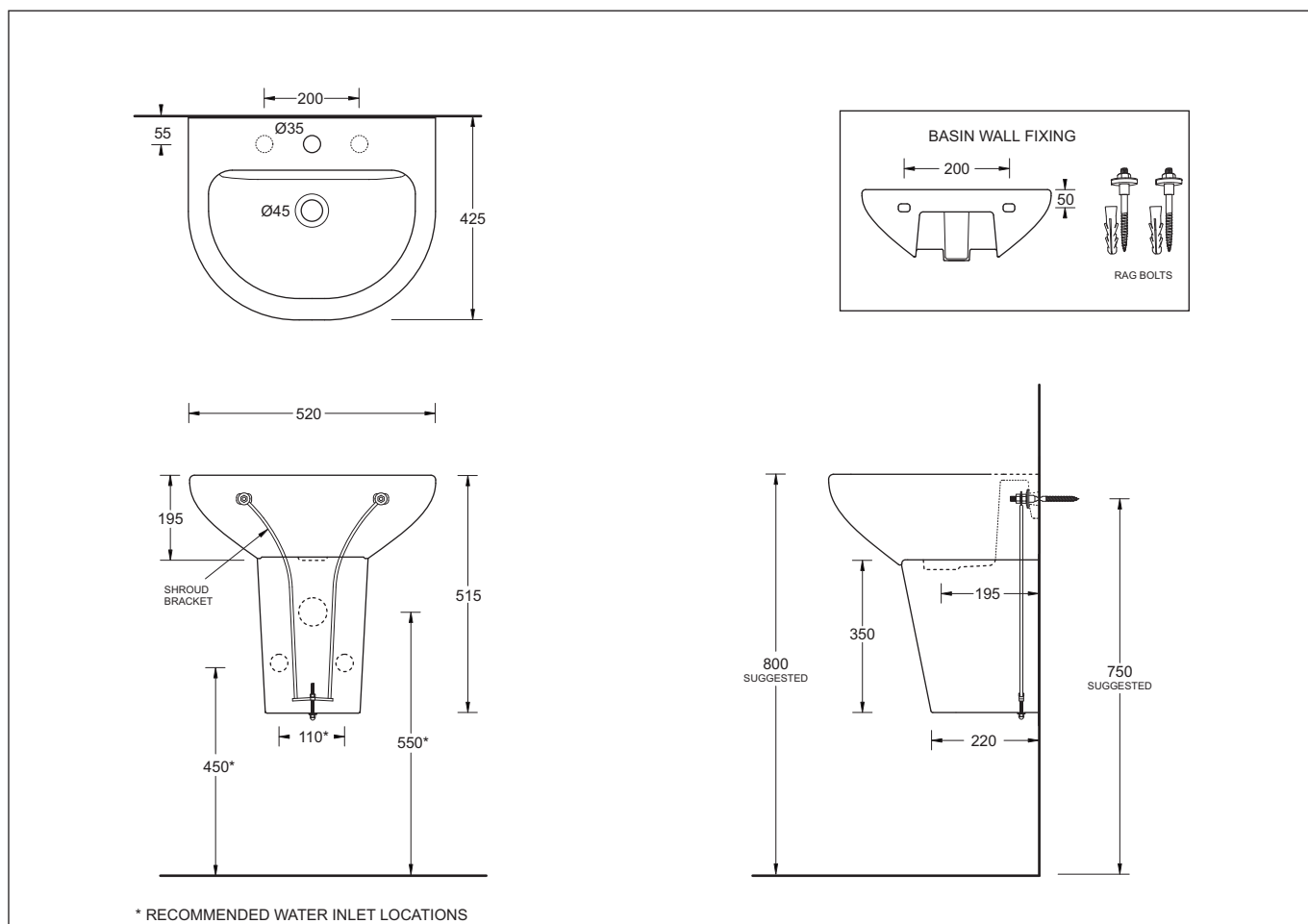
- Contemporary vitreous china wall basin with optional shroud
- Standard overflow
- Available with 1 or 3 taphole
- Broad soap platform area
- 32mm waste outlet
- Bowl capacity 6.5L
- 520 x 425mm

Provided

Item	Description	Code
Basin	Como Wall Basin	J3180
O/Flow Ring	CP Ring - JS	X063
Plug & Waste	32/40mm Overflow-Plastic	PW2
Installation	Wall Installation - Rag Bolt Kit	X022
Installation	Instructions	✓

Optional Accessories

Shroud	Shroud	J3187
Installation	Shroud Fixing Kit	XJ202



All dimensions are in millimetres and are subject to normal manufacturing variation of +/- 3mm on all surfaces. As product development is ongoing BPA reserves the right to vary specifications without notice.

Bathroom Products Australia P/L ABN 87 079 297 617