

# MARTINO



## MARTINO ISLAND BATH

The latest in European design, the Martino luxury double ended bath combines clean straight lines with rolling edges in each lumbar area that flow into the bath, mixing comfort with modern design.

### SIZE (l)x(w)x(h)

- MA1750W ~ 1745 x 820 x 485 (mm)

### NET WEIGHT

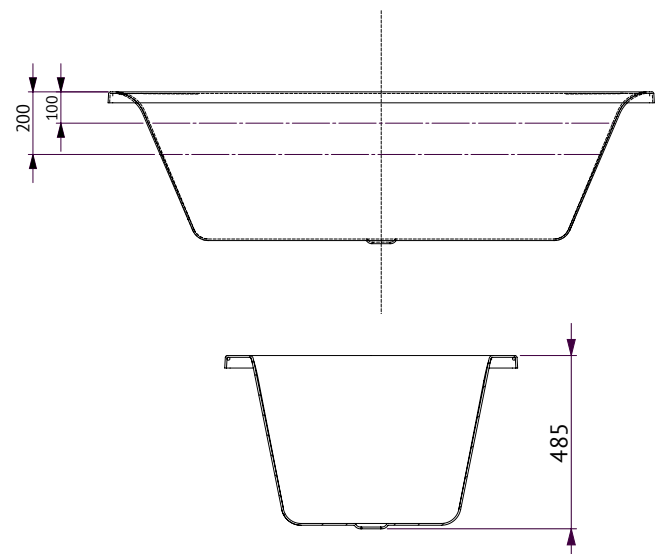
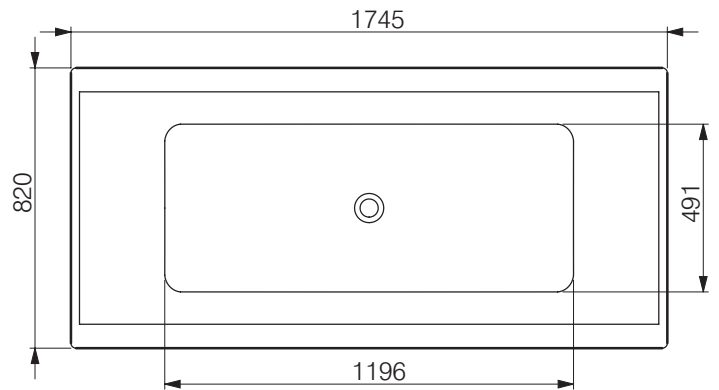
- 22.5 kg

### CAPACITY\*

- 182 litres

\*200mm below bath rim

## Island Bath



## FEATURES

- Made in Australia
- Made to AS/NZ Standard: 2023/1995
- Island style bath
- Manufactured from premium sanitary grade acrylic
- High gloss white
- Centre waste position

## ACCESSORIES

- EZI Frame
- Fiore Headrest
- Overflow

## WARRANTY:

- Fifteen year warranty - Conditions apply please see website for details