

# Palermo

Freestanding Bath

**JohnsonSuisse**  
Bathroom Solutions

## PRODUCT DATA SHEET



Because we all need a little luxury.

There's no need for artwork in your bathroom - the Palermo Freestanding Bath is an interior masterpiece. With its carefully crafted, elegant lines and modern European design, take a trip to Sicily without leaving your home. Just add bubbles and candles, and you will never want to leave.

The Palermo bath is manufactured by fusing two sheets of Lucite® acrylic together, with the latest engineered resins; reducing the risk of splitting and resulting in a super smooth, invisible join.

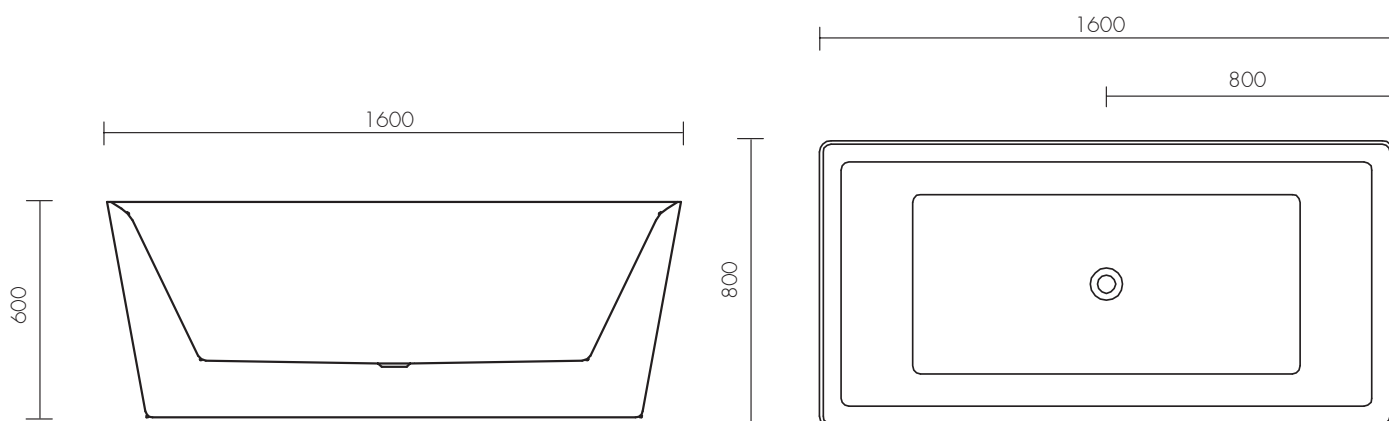
The Palermo has a luxurious, warm feel. It is extremely hard-wearing and resistant to chemicals, UV and abrasion - meaning long-lasting finish and lustre.

# Palermo

Freestanding Bath

**JohnsonSuisse**  
Bathroom Solutions

MATERIAL	Lucite® sanitary grade acrylic with fibreglass reinforced polyester resin
DESIGN	Freestanding
WEIGHT	51 kg
WASTE	Centre chrome pop up waste
CONSTRUCTION	Fully self supported on adjustable legs



PRODUCT	COLOUR (int/ext)	CODE	DIMENSIONS	VOLUME
Palermo 1600	White/White	D7WHWHM	1600L x 800W x 600H	262 litres nominal

All dimensions are in millimetres and are subject to normal manufacturing variation. BPA reserves the right to vary specifications or delete models from their range without prior notification. Dimensions and set-outs listed are correct at the time of publication however BPA takes no responsibility for printing errors. Tapware, wastes and fittings are not included unless specified. Warranty periods apply, for details see [www.johnsonsuiss.com.au](http://www.johnsonsuiss.com.au)