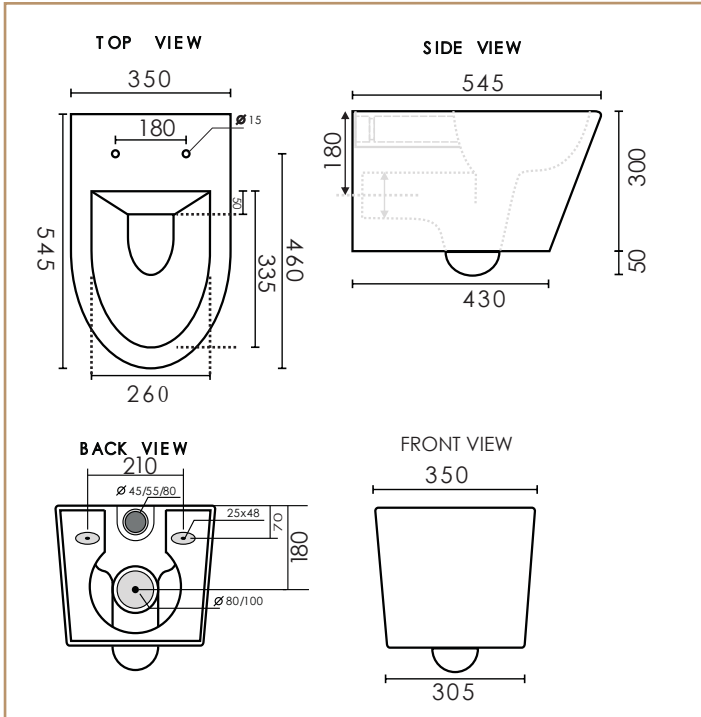


# GARETH ASHTON

## Park Avenue Wall Hung Pan



Product	Codes	Description
<b>Complete Suite:</b>	390012	Park Avenue Wall Hung Pan
<i>Complete Suite consisting of:</i>		
<b>Pan:</b>	321868	Park Avenue Wall Hung Pan
<b>Seat:</b>	384561	Park Avenue Seat and Cover

### Features

High quality Vitreous China wall hung, 4.5 litre full flush, 3 litre half flush, including high quality Urea removable seat and cover. For use with In-wall cistern.

### Installation

Refer to Installation Instructions supplied with product.

### Approvals

This suite complies with Australian Standard AS 1172.1 and AS 1172.2 and is Watermark certified (WM-022496), and WELs compliant, and listed. (Listing No 0072)