





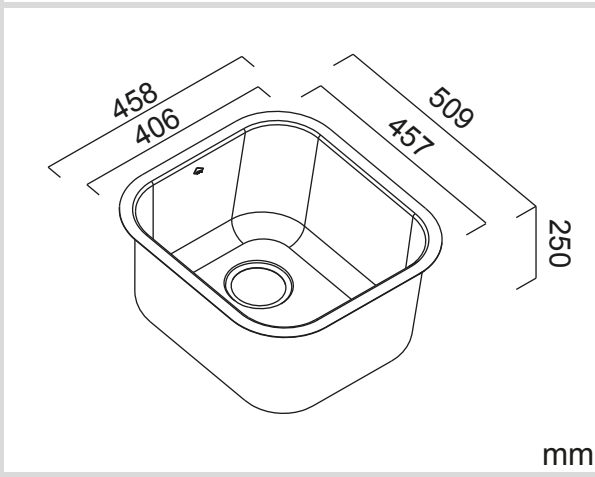
Model Code: LTS45UX

Included Accessories

		
Inset Clip	6020	

Optional Accessories

Dimensions



Specifications

Description	Single bowl, inset sink
Overall Sink Size	458mm x 509mm x 250mm deep
Bowl Dimensions	406mm x 457mm x 250mm deep
Drainer Length	N/A
Technic	Pressed
Material	Stainless steel SUS304

Installation

Fixings	Undermount clips supplied
Template	N/A
Min Cabinet Size	528mm
Waste Holes	1 x 90mm round Compatible with waste disposal
Sealing Strip	Factory fitted

Plumbing

Waste Fittings	1 x (90mm x 2") basket waste included
Overflow	Available, conditions apply

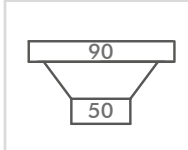
Packaging

Carton Type	EPS protection & individual carton
Gross Weight	3.86Kg
Carton Size	620mm x 520mm x 485mm
Pack QTY	5

SURFACE FINISH



WASTE KIT



MATERIAL



INSTALLATION OPTIONS



PROFILE



Abey are Australia's leaders in sinkware, designing and manufacturing to the world's highest quality specifications as well as sourcing and bringing you Europe's very best, leading edge designs – practical, affordable, inspirational, stylish, timeless or cutting edge. When you buy an Abey stainless steel sink you receive the highest quality and 25 year warranty. Abey and the manufacturer are continually seeking ways to improve the design specifications, aesthetic and production techniques of the products. As a result, alterations to the specifications and dimensions of the products and designs occur continually.