



PHOENIX

SPECIFICATIONS

VIVID SLIMLINE

SPRING SINK MIXER

PRODUCT CODE: VS728 CHR
 FINISH: CHROME
 WELS: 5 STAR - 5.0 LT/MIN

INFORMATION:

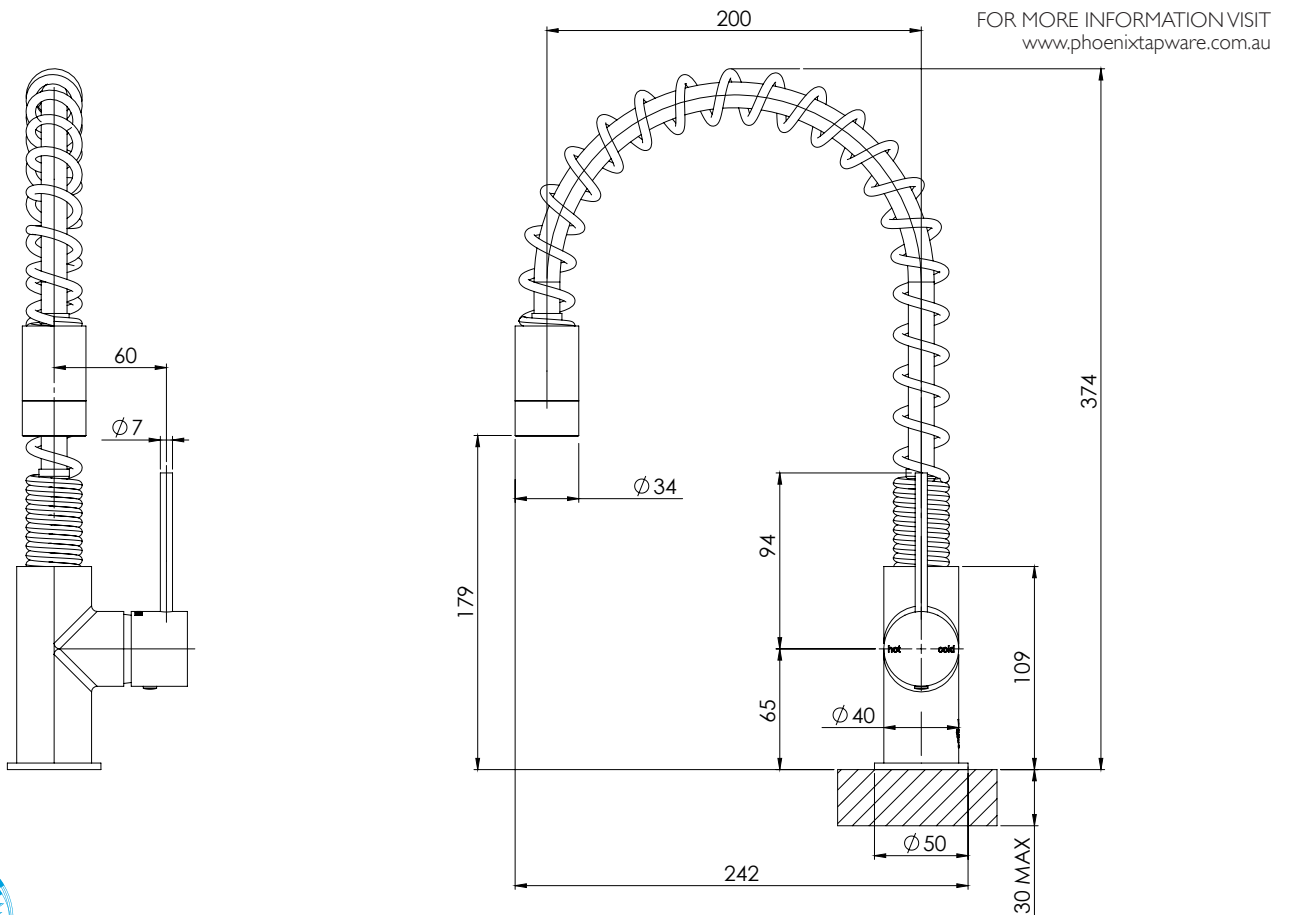
TEMPERATURE RATING: MIN 1° - MAX 75°
 PRESSURE RATING: MIN 150 kPa - MAX 500 kPa



AVAILABLE IN:



CHROME



PLEASE [CLICK HERE TO VIEW FULL WARRANTY](#)

While we aim to ensure the specifications shown are correct at time of printing, Phoenix Tapware reserves the right to make modifications without prior notice. Always use the physical product measurements for mark-ups and roughing-in as the line drawing shown may differ from the actual product over time. All measurements are shown in millimetres.

www.phoenixtapware.com.au
03 9780 4200



PHOENIX

SPECIFICATIONS

VIVID SLIMLINE

SPRING SINK MIXER

PRODUCT CODE:

VS728 CHR

FINISH:

CHROME

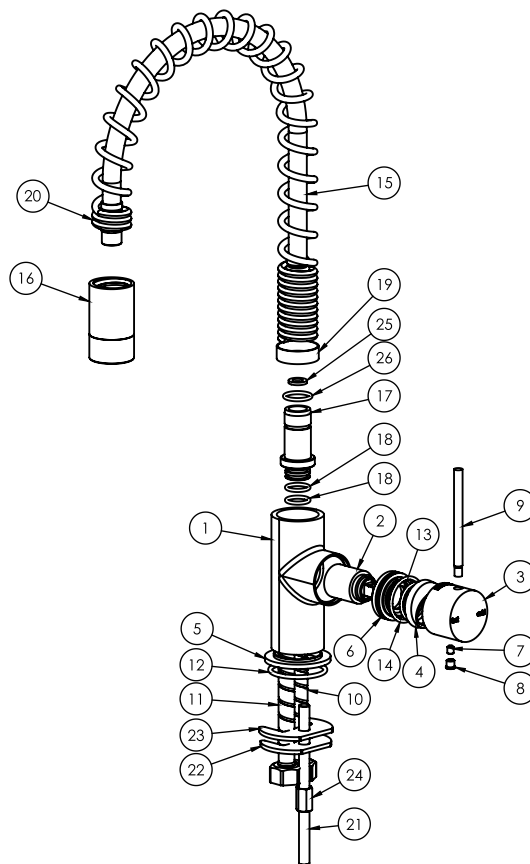
WELS:

5 STAR - 5.0 LT/MIN



PARTS LIST

1. MIXER BODY
2. 25MM CARTRIDGE
3. MIXER HANDLE
4. MIXER DOME
5. DRESS PLATE
6. MIXER LOCKNUT
7. GRUB SCREW M5X6MM
8. GRUB SCREW CAP
9. PIN LEVER
10. FLEXIBLE HOSE 450MM COLD
11. FLEXIBLE HOSE 450MM HOT
12. O-RING 39X3MM
13. O-RING 26X2.5MM
14. O-RING 31X2.5MM
15. HOSE SPRING
16. SPRAY HEAD
17. HOSE PILLAR
18. O-RING 14.5X2.5MM
19. SPRING GUIDE
20. MIXER SPRING
21. M8 THREADED ROD
22. FIXING PLATE
23. RUBBER FIXING PLATE
24. M8 NUT
25. SWIVEL HOSE WASHER
26. O-RING 17.5X2.5MM



MAINTENANCE AND CARE:

- All surfaces should be cleaned with mild liquid detergent or soap and water.
- Do not use cream cleaners or citrus based cleaning products, as they are abrasive.
- Use of unsuitable cleaning agents may damage the surface. Any damage caused in this way will not be covered by warranty.

PACKAGING INCLUDES

- 1 x Spring sink mixer
- 1 x Installation kit
- 1 x 450mm braided flexible cold hose
- 1 x 450mm braided flexible hot hose
- 1 x AFII spanner
- 1 x Installation instructions
- 1 x Warranty card

PLEASE [CLICK HERE](#) TO VIEW FULL WARRANTY

While we aim to ensure the specifications shown are correct at time of printing, Phoenix Tapware reserves the right to make modifications without prior notice. Always use the physical product measurements for mark-ups and roughing-in as the line drawing shown may differ from the actual product over time. All measurements are shown in millimetres.

www.phoenixtapware.com.au
03 9780 4200