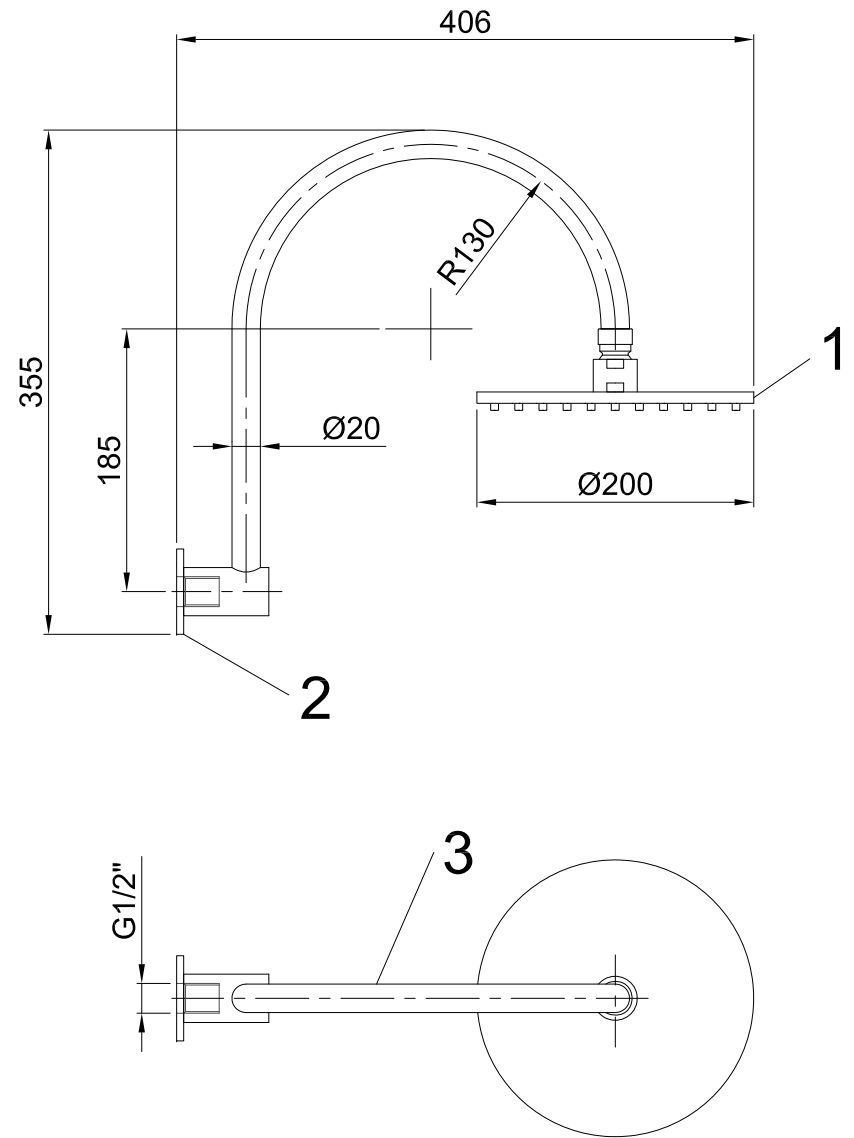


**Installation Guideline:**

1. Apply thread tap or other approved sealant to the wall spigot/nipple. Insert the wall plate over the arm and then install the arm onto the spigot, ensuring it is tight, flush with the wall, and that the arm outlet is perpendicular.
2. Slide the wall plate back against the wall.
3. Apply thread tape or other approved sealant to the arm outlet.
4. Fit the filter/washer and flow control into the shower head according to the diagram. Note: The flow control should be inserted with the protruding side into the showerhead.
5. Fit the shower head onto the arm and ensure it is firmly tightened to prevent leaks.
6. The shower head can be adjusted by swivelling into the desired position.



**Parts List**

Item	Code	Description	QTY
1	RSB01 (KSHRO)	Brass Round Shower Head	1
2	WPB04	Brass Flat Round Wall Plate	1
3	SAB03	Brass Curved Gooseneck Arm	1



Product Code

**ROGS1**

Date

1 Feb 2011

Address

Abey Australia Pty Ltd  
57-81 Abey Road, Melton, VIC 3337  
www.abey.com.au