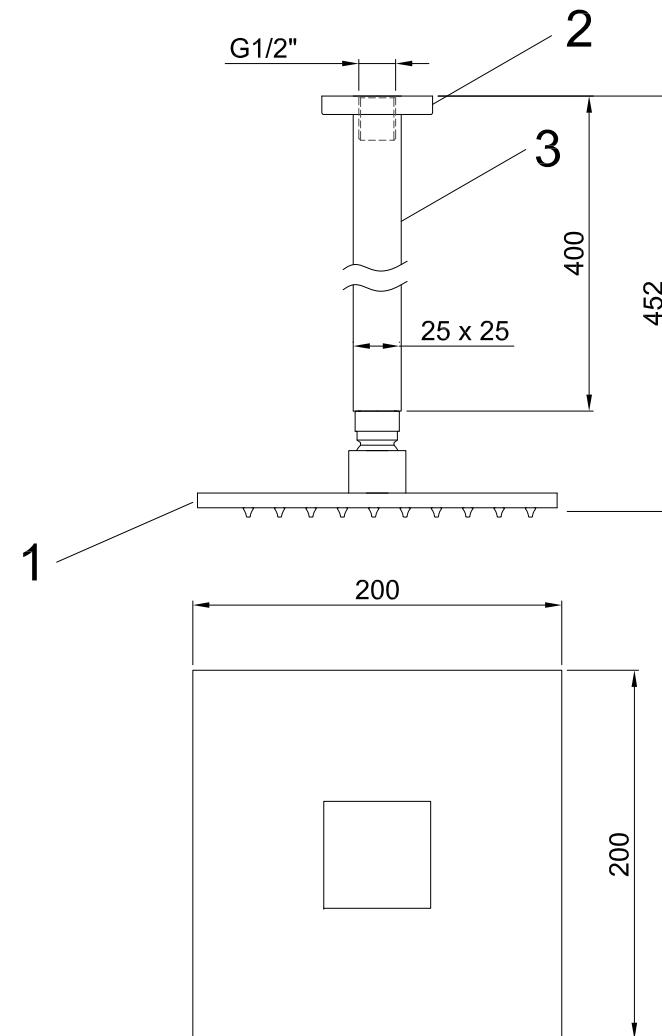


Installation Guideline:

1. Apply thread tap or other approved sealant to the ceiling spigot/nipple. Insert the wall plate over the dropper and then install the dropper onto the spigot, ensuring it is tight.
2. Slide the wall plate back against the ceiling.
3. Apply thread tape or other approved sealant to the dropper outlet.
4. Fit the filter/washer and flow control into the shower head according to the diagram. Note: The flow control should be inserted with the protruding side into the showerhead.
5. Fit the shower head onto the dropper, ensuring it is firmly tightened to prevent leaks.
6. The shower head can be adjusted by swivelling into the desired position.



Parts List

Item	Code	Description	QTY
1	RSB04 (KSHSQ)	Square Shower Head	1
2	WPB01	Brass Press Round Wall Plate	1
3	DDB03	Square Dropper 200mm	1



Product Code

SVSO1

Date

1 Feb 2011

Address Abey Australia Pty Ltd
57-81 Abey Road, Melton, VIC 3337
www.abey.com.au