





Model Code: EUA180L

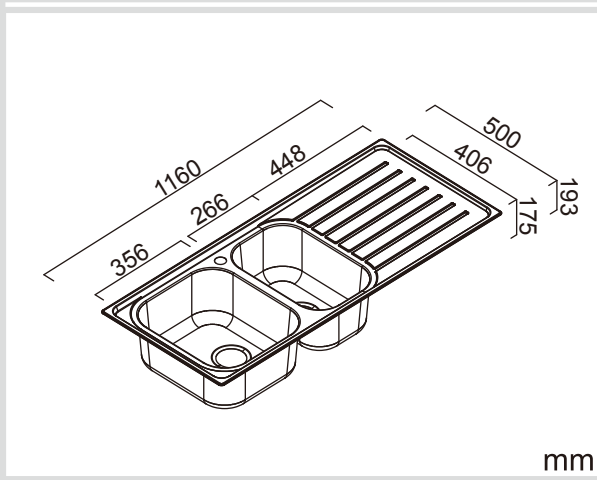
Included Accessories

		
Icp	6020	Seal Strip

Optional Accessories

		
AQCB	DR006	

Dimensions



Specifications

Description	Double bowl with one Drainer, inset sink
Overall Sink Size	1160mm x 500mm x 193mm deep
Bowl Dimensions	356mm x 406mm x 175mm deep 266mm x 406mm x 175mm deep
Drainer Length	448mm
Technic	Pressed
Material	Stainless steel SUS304

Installation

Fixings	Inset clips supplied
Template	Supplied
Min Cabinet Size	721mm
Waste Holes	1 x 90mm round Compatible with waste disposal

Plumbing

Waste Fittings	1 x (90mm x 2") basket waste included
Overflow	Available, conditions apply

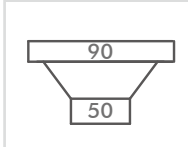
Packaging

Carton Type	EPS protection & individual sleeve
Gross Weight	7Kg
Sleeve Size	1200mm x 540mm x 210mm
Pack QTY	1

SURFACE FINISH



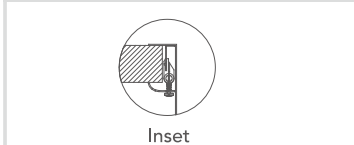
WASTE KIT



MATERIAL



INSTALLATION OPTIONS



PROFILE