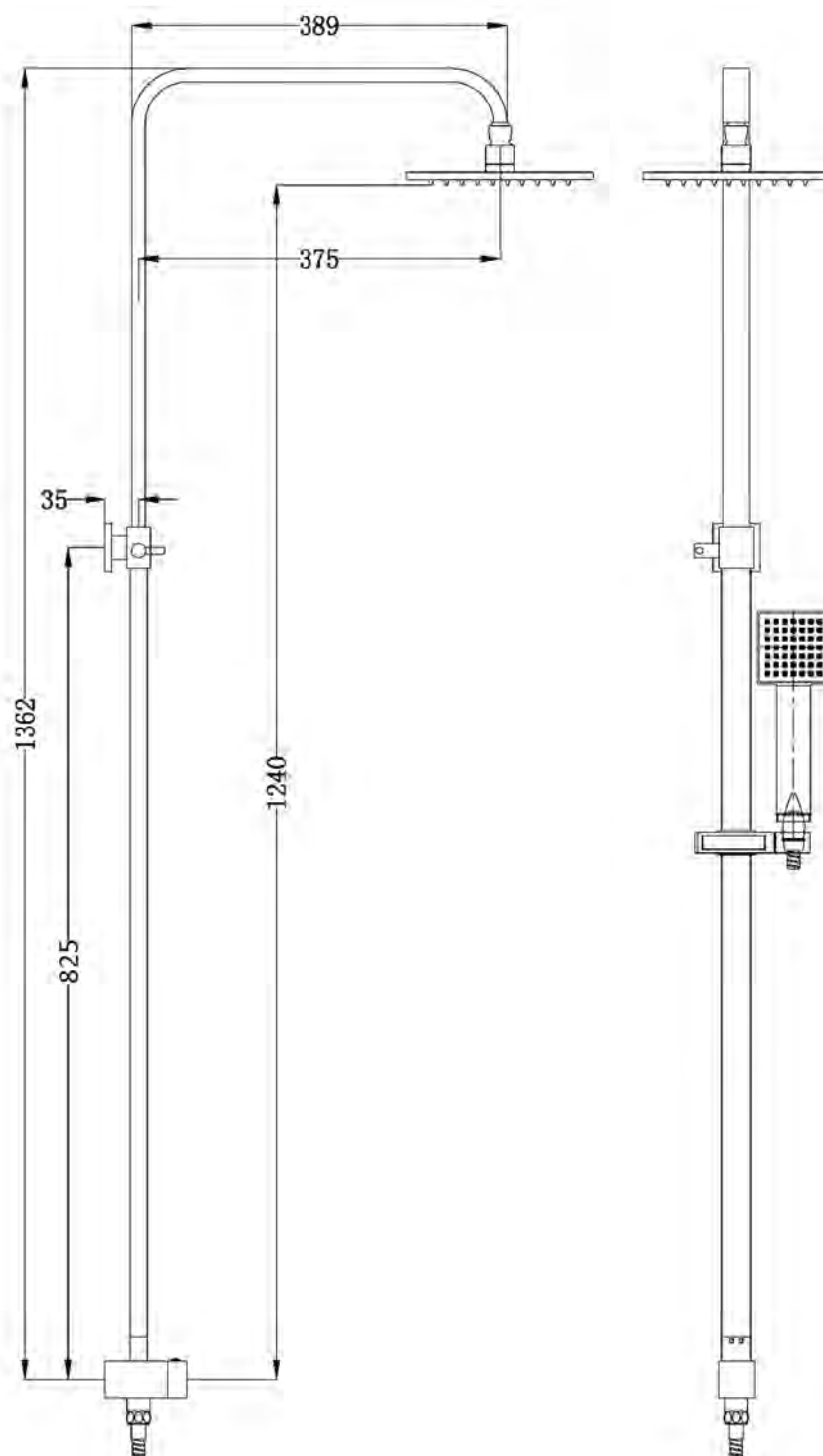


YSW2007-05B BOTTOM INLET



SQUARE TWIN WATERRAIL

INSTALLATION INSTRUCTIONS

YSW2007-05B BOTTOM INLET

