



PHOENIX

SPECIFICATIONS

RUSH

VESSEL MIXER

PRODUCT CODE: RU790 CHR
 FINISH: CHROME
 WELS: 6 STAR - 3.5 LT/MIN

INFORMATION:

MATERIAL: BRASS
 TEMPERATURE RATING: MIN 1° - MAX 75°
 PRESSURE RATING: MIN 150 kPa - MAX 500 kPa

CONSUMER UNIT:

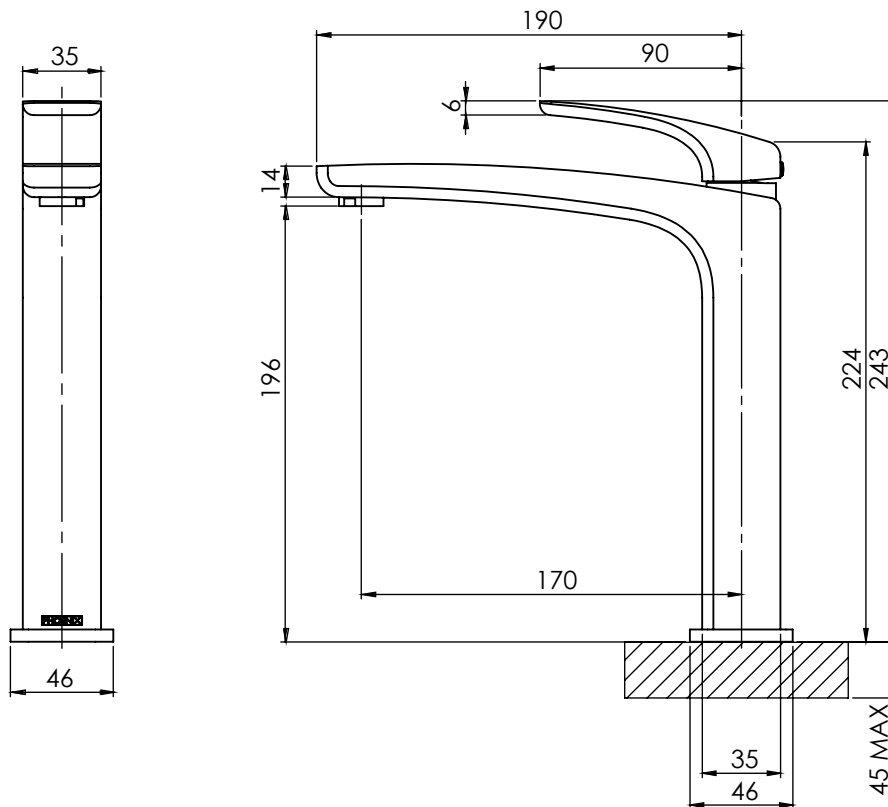
SIZE: L 450MM x W 260MM x H 70MM
 GROSS WEIGHT: 2.2 KG
 BARCODE EAN-13: 9 320594 012 342



AVAILABLE IN:



FOR MORE INFORMATION VISIT www.phoenixtapware.com



PLEASE [CLICK HERE TO VIEW FULL WARRANTY](#)

While we aim to ensure the specifications shown are correct at time of printing, Phoenix Tapware reserves the right to make modifications without prior notice. Always use the physical product measurements for mark-ups and roughing-in as the line drawing shown may differ from the actual product over time. All measurements are shown in millimetres.

www.phoenixtapware.com.au
03 9780 4200



PHOENIX

SPECIFICATIONS

RUSH

VESSEL MIXER

PRODUCT CODE:

RU790 CHR

FINISH:

CHROME

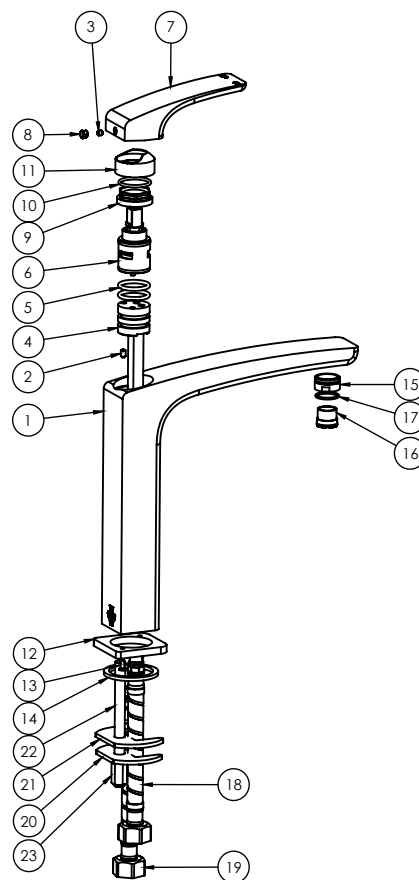
WELS:

6 STAR - 3.5 LT/MIN



PARTS LIST

1. MIXER BODY
2. GRUB SCREW M4X6MM
3. GRUB SCREW M4X4MM
4. MIXER SEAT EXTENSION
5. O-RING 20X2.75MM
6. 25MM CARTRIDGE
7. MIXER HANDLE
8. SCREW CAP
9. MIXER LOCKNUT
10. O-RING 22X2.0MM
11. MIXER DOME
12. DRESS PLATE
13. SCREW
14. RUBBER WASHER
15. AERATOR RETAINER
16. AERATOR
17. O-RING 16X1.5MM
18. FLEXIBLE HOSE 450MM HOT
19. FLEXIBLE HOSE 450MM COLD
20. FIXING PLATE
21. RUBBER GASKET
22. M8 THREADED ROD
23. M8 NUT



MAINTENANCE AND CARE:

- All surfaces should be cleaned with mild liquid detergent or soap and water.
- Do not use cream cleaners or citrus based cleaning products, as they are abrasive.
- Use of unsuitable cleaning agents may damage the surface. Any damage caused in this way will not be covered by warranty.

PACKAGING INCLUDES

- 1 x Vessel Mixer
- 1 x Installation kit
- 1 x 450mm braided flexible cold hose
- 1 x 450mm braided flexible hot hose
- 1 x Installation instructions
- 1 x Warranty card

PLEASE [CLICK HERE](#) TO VIEW FULL WARRANTY

While we aim to ensure the specifications shown are correct at time of printing, Phoenix Tapware reserves the right to make modifications without prior notice. Always use the physical product measurements for mark-ups and roughing-in as the line drawing shown may differ from the actual product over time. All measurements are shown in millimetres.

www.phoenixtapware.com.au
03 9780 4200